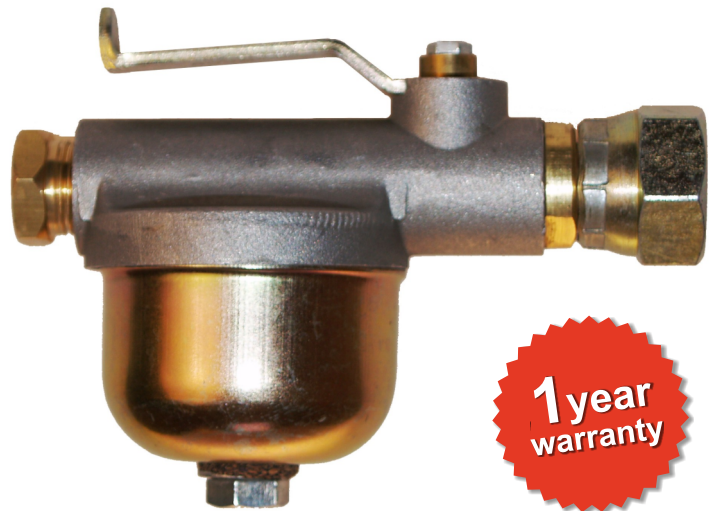


# OFV

## OIL FILTER & ISOLATION VALVE

- Oil filter and Isolation valve in one tidy, robust, and compact unit
- For use with the KBB and KBB/E Fire Valve range
- Avoid expensive engineer call outs
- Supplied with ½" to 1" BSP adaptor for connection to oil tank and an anti-crush insert for 10mm copper pipe



OFV1

### Application

For use on bottom take-off connections on steel or plastic domestic heating oil tanks.

The filter and isolating valve is positioned in the oil feed pipe, usually near the tank, running to the boiler. This insures that the oil supply can quickly be turned off, for example, during boiler servicing.

The OFV is fitted with a nylon filter, this is important because even the smallest particle of dirt or rust can permanently damage a boiler's oil pump and/or block the very fine oil atomising jet.

### Technical Specification

**Material:**

Body: Aluminium.  
 Filter bowl: Steel.  
 Filter: Nylon (40 - 50µm).

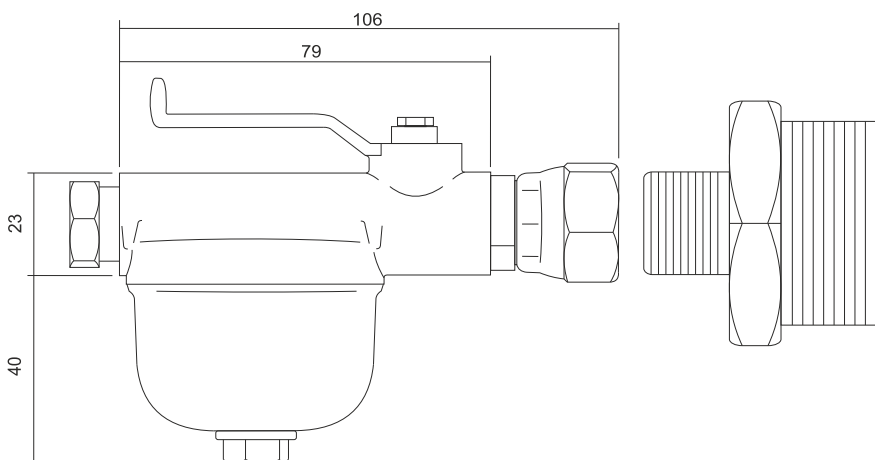
**Connection sizes:**

In: ½" BSP Swivel.  
 Out: 10mm compression with copper olive.

**Flow rate:** 151 L/hr kerosene at 1 metre head.

**Weight:** 320g (without adaptor)

### Outline Details



Smart Control Systems  
 for a Sustainable Future  
 part of the Teddington Group

Manufactured by  
**Teddington Appliance Controls Ltd**

Part of the Teddington Group  
 Holmbush • St. Austell • Cornwall • United Kingdom • PL25 3HG

Tel: +44 (0) 1726 222505 • Fax: +44 (0) 1726 222502

www.tedcon.com • info@tedcon.com

02/15

